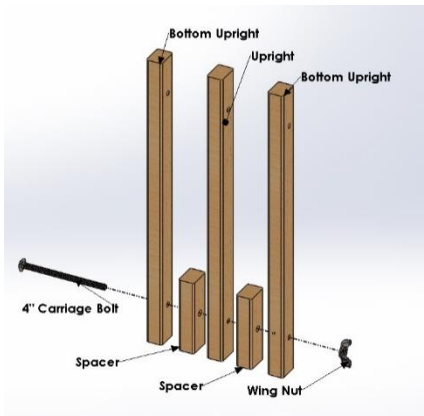
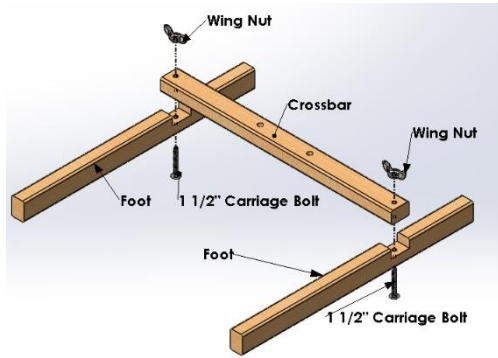


6111 Universal Craft Stand

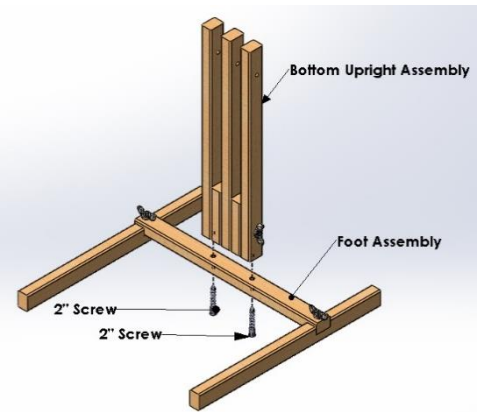
Base Upright Assembly



Foot Assembly



Base Assembly



Base Upright Assembly

Place the two Spacers between the Bottom Uprights (they have a hole in the bottom) and secure with a 4" Carriage Bolt and Wing Nut

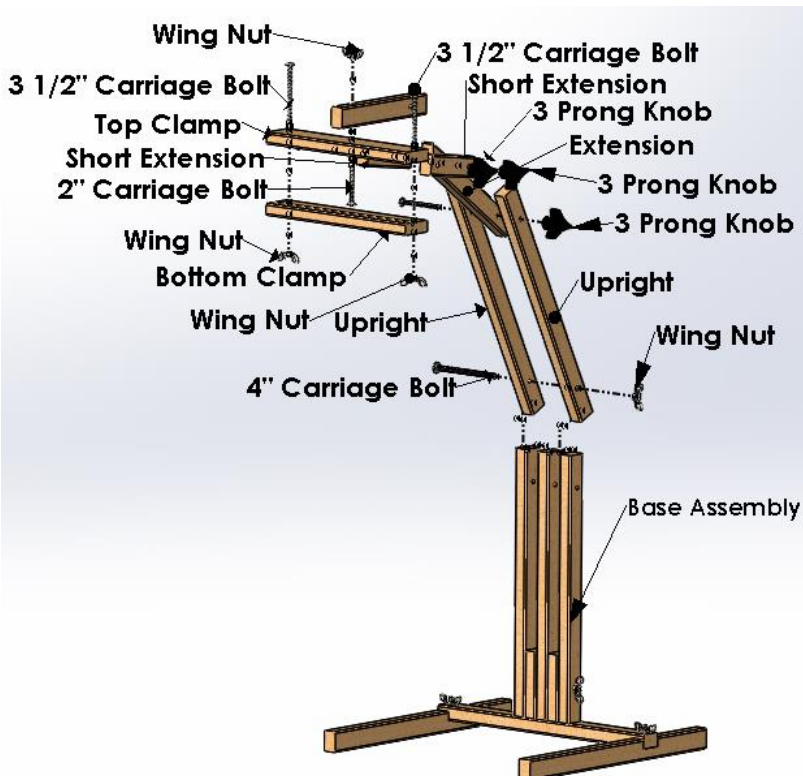
Foot Assembly

Attach the two Feet to the Crossbar using two 1 1/2" Carriage Bolts and Wing Nuts.

Base Assembly

Attach the Foot Assembly to the Base Upright Assembly Using two 2" Screws.
(Screw Driver Required)

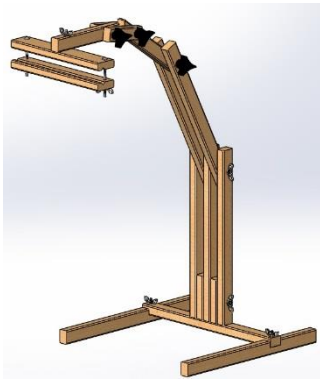
Final Assembly



Final Assembly

- 1) Place two remaining Uprights between the Bottom Uprights and the Upright on the base Assembly and secure with a 4" Carriage Bolt and Wing Nut.
- 2) Place the Extension between the two Uprights and secure with a 2 1/2" Carriage Bolt and a 3 Prong Knob.
- 3) Place the two Short Extension on the outside of the Extension and secure with a 2 1/2" Carriage Bolt and 3 Prong Knob.
- 4) Place the Clamp Extension between the two Short Extensions and secure with a 2 1/2" Carriage Bolt and 3 Prong Knob.
- 5) Insert the 2" Carriage Bolt into the recessed hole in the bottom of the Top Clamp and attach the Top Clamp to the Clamp Extension using a Wing Nut.
- 6) Insert two 3 1/2" Carriage Bolts through the top of the Top Clamp and attach the Bottom Clamp securing with two Wing Nuts.

Stand Folded Down



Parts List

